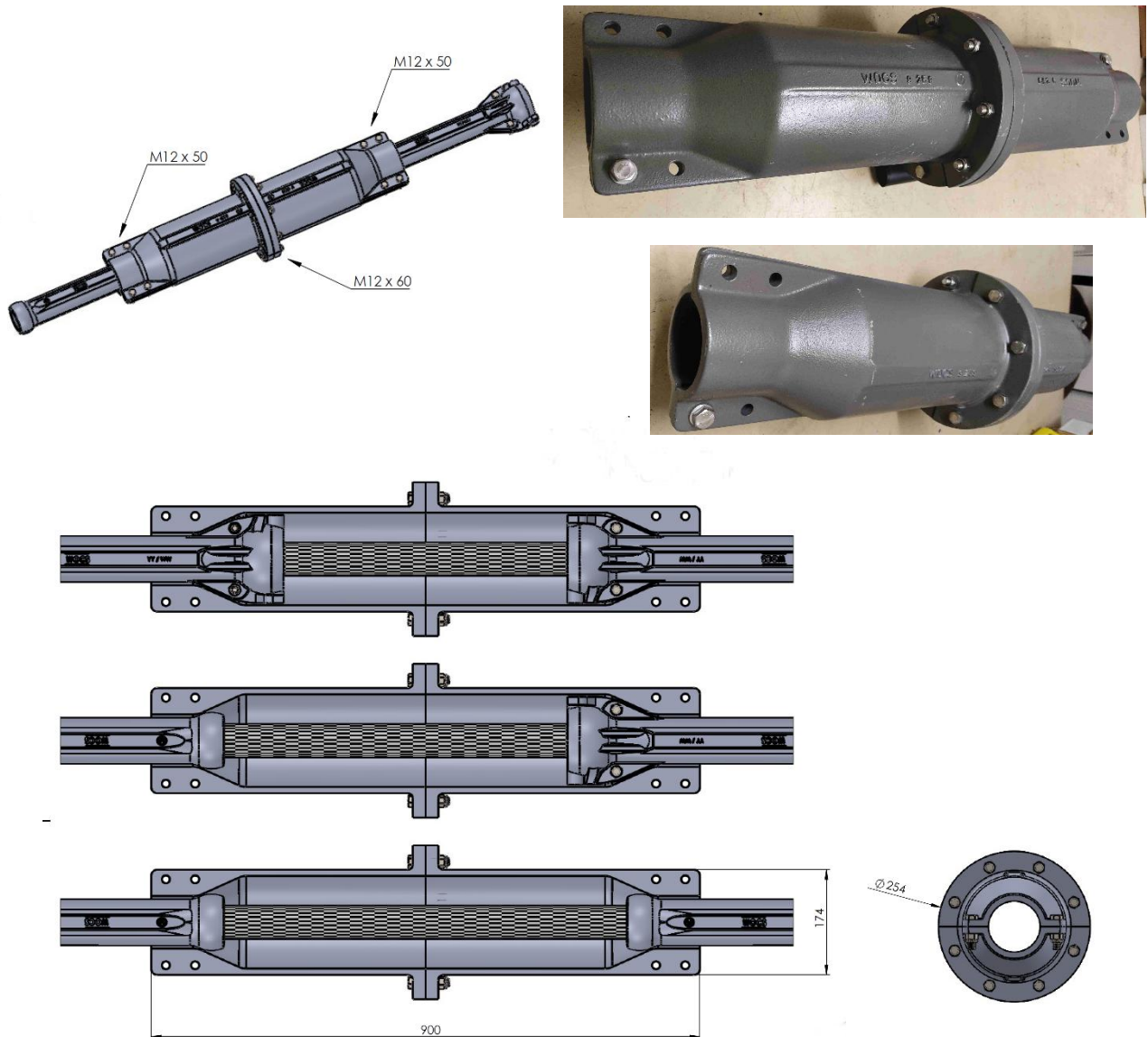


U-Coupling for Articulated Pipes (CPS-PM47-58-500)



TECHNICAL SPECIFICATIONS AND NOTES:

Normalized Spheroidal Graphite Cast Iron:
ISO 1083/JS/400-15; EN-GJS-400-15 Minimum Wall Thickness 10 mm (+1.0/-0.5)

Approximate Weight of one casting in air = 10.3 Kg; 41.2 Kg for one U-Coupling (set of 4 castings)

General casting tolerances: ISO 8062 – CT8

U-Coupling is used to joint and repair Articulated Cable Protection CPS-PM47-58-500

Requires bolting together with eight stainless steel M12 x 50 bolts with auto-lock nuts and eight stainless steel M12 x 60 bolts with auto-lock nuts (for the split flange)

All dimensions in mm